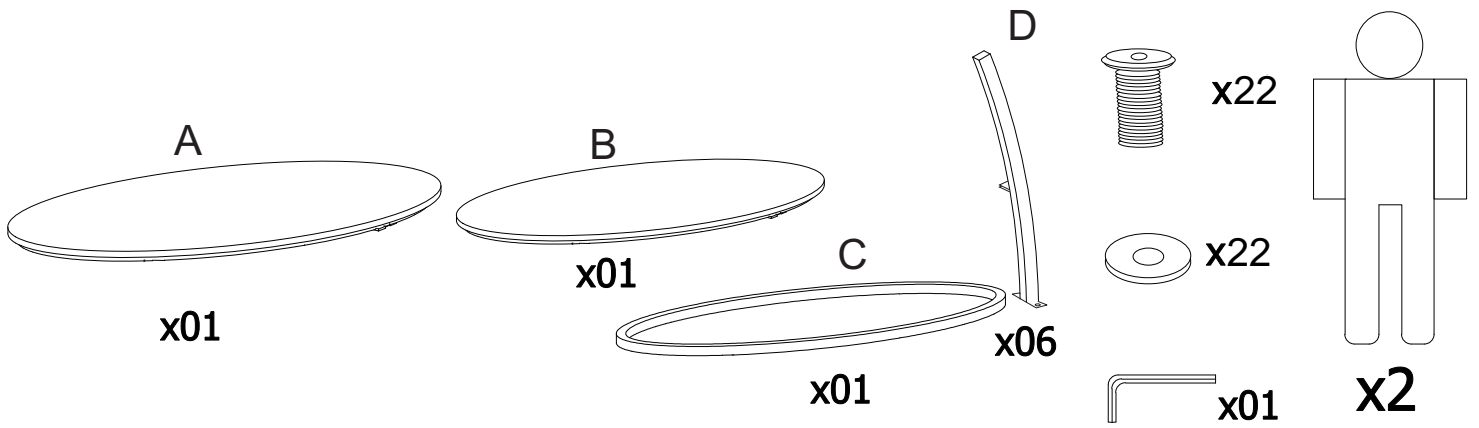
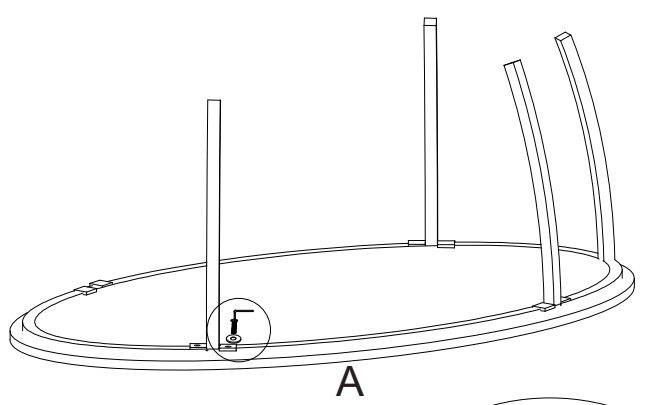


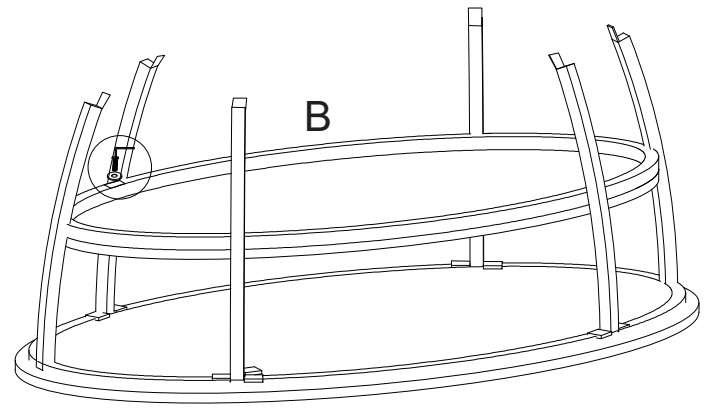
# ASSEMBLY INSTRUCTION



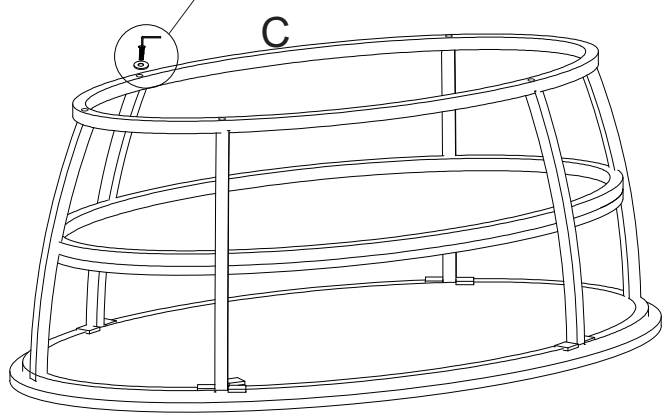
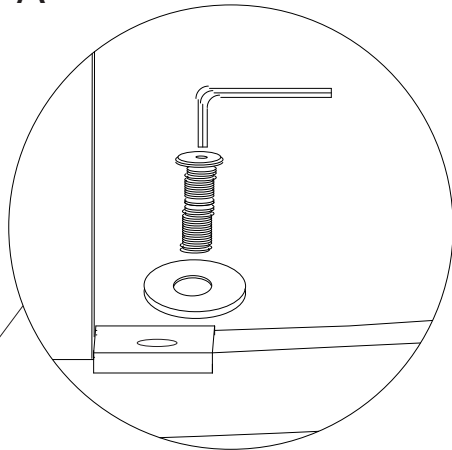
## STEP-01



## STEP-02



## STEP-03



## STEP-04

